

 **SUZUKI**

THE  
**ULTIMATE**  
OUTBOARD MOTOR

THE  
**ULTIMATE**  
OUTBOARD MOTOR



SUZUKI DF350AMD/300BMD\_DF350A/325A/300B : A REVOLUTION IN INNOVATION





激

## A REVOLUTION IN INNOVATION

Beginning with the introduction of the DF350A and DF325A in 2017, Suzuki has honed its technical capabilities with the aim of providing customers with an ULTIMATE Marine Life.

Now, Suzuki has improved this existing Flagship Family(DF350A / 325A / 300B) and developed new technologies in order to make further progress while maintaining this stance.

SUZUKI will continue to evolve in the future to provide more comfortable marine life to customers.

# GEKI: PARTING SEAS



## Renewed Flagship

# NEW DF350AMD / 300BMD & DF350A / 325A / 300B

- Suzuki's First Integrated Steering System
- Advanced New Gear Case
- Available in 20 inch(L), 25inch(X) and 30inch(XX) transom height.

### Integrated Steering System (only for DF350AMD / 300BMD)

- Simple appearance of the motorwell when rigging.
- Allows rigging to various types of boats.  
There is no need to worry about interference between the external cylinder and the boat.



### Advanced New Gear Case

#### Enhanced Durability & Reliability

By lowering the gear oil temperature



#### Increased Top Speed

With the Advanced New Gear Case, Top Speed increased more than 2%.

\*the data is based on "In-House Suzuki Testing" under uniformed conditions. Results will vary depending upon operating conditions(boat design, size, weight, weather, etc).

#### Improved maintainability

By adding the new mechanism for changing gear oil.

#### Improved Fuel Efficiency

#### Reduced Gear Oil from 3.2ℓ → 2.8ℓ.

### Available in 20 inch(L), 25inch(X) and 30inch(XX) transom height. (only for DF350AMD / 300BMD)

- It enables the rigging to various types of boats



# SUZUKI'S FIRST INTEGRATED STEERING SYSTEM



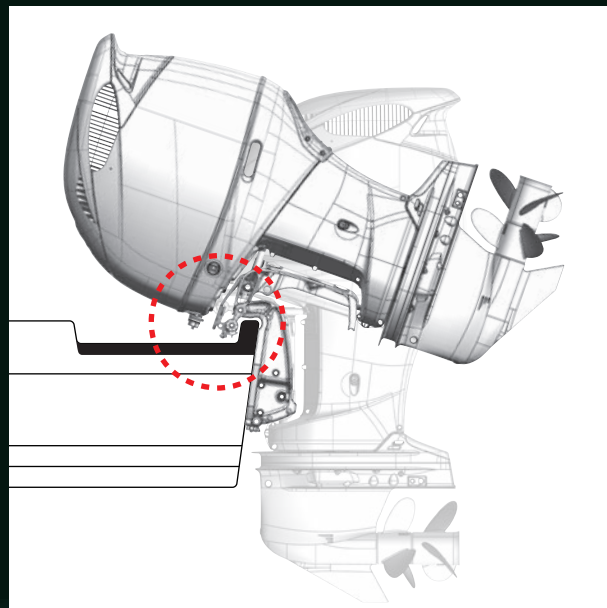
## ■ Simple appearance of the motorwell when rigging

The Integrated Steering System enables rigging without external steering cylinder, resulting in a cleaner motorwell and a clean finish.

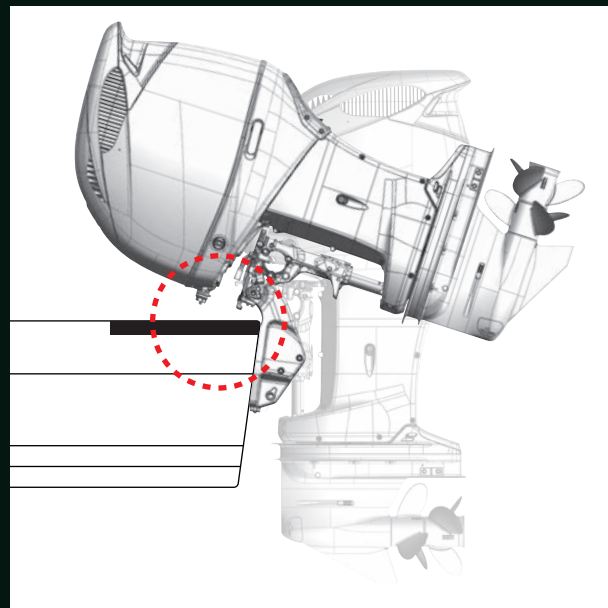
## ■ Prevent from hitting the motorwell when tilting up

With the conventional external cylinder, there are cases that the external cylinder interferes with the motorwell depending on the boat type. However, this Integrated Steering System eliminates such worries and enables the rigging to various types of boats.

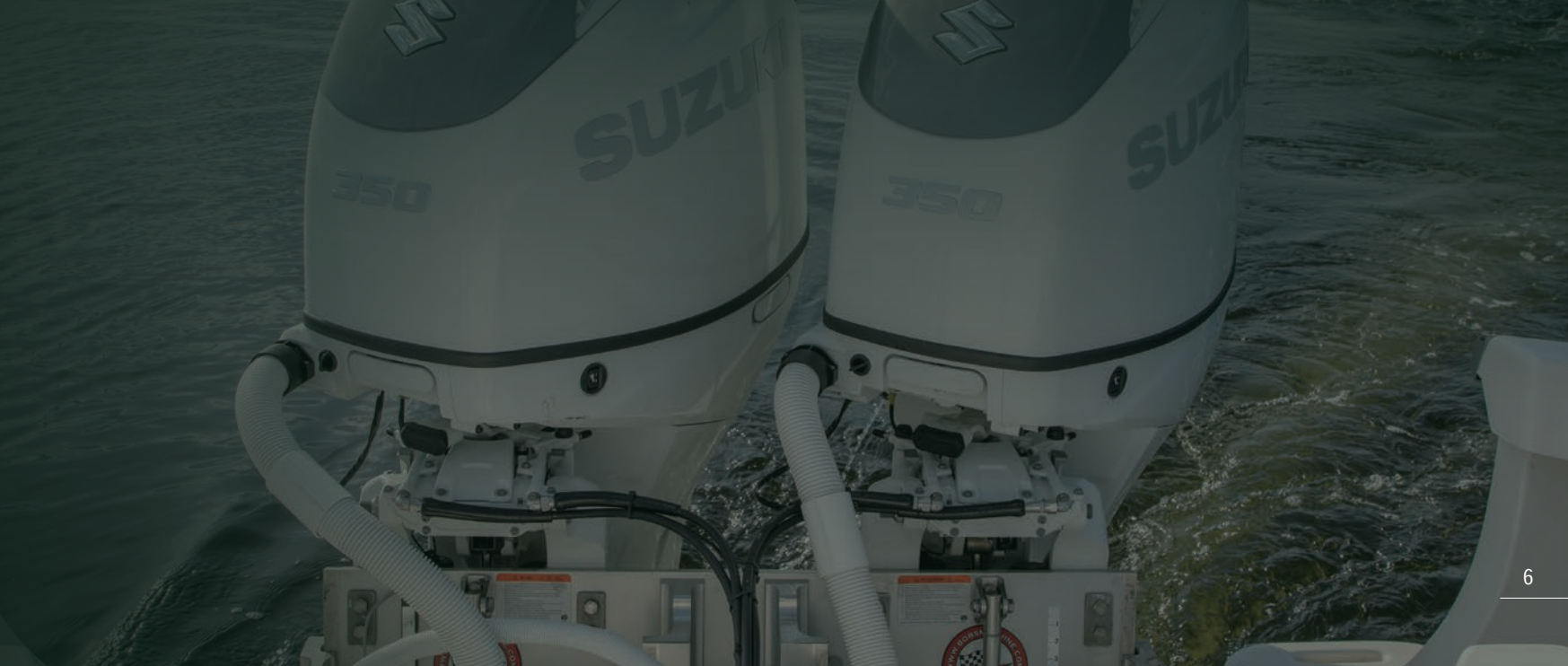
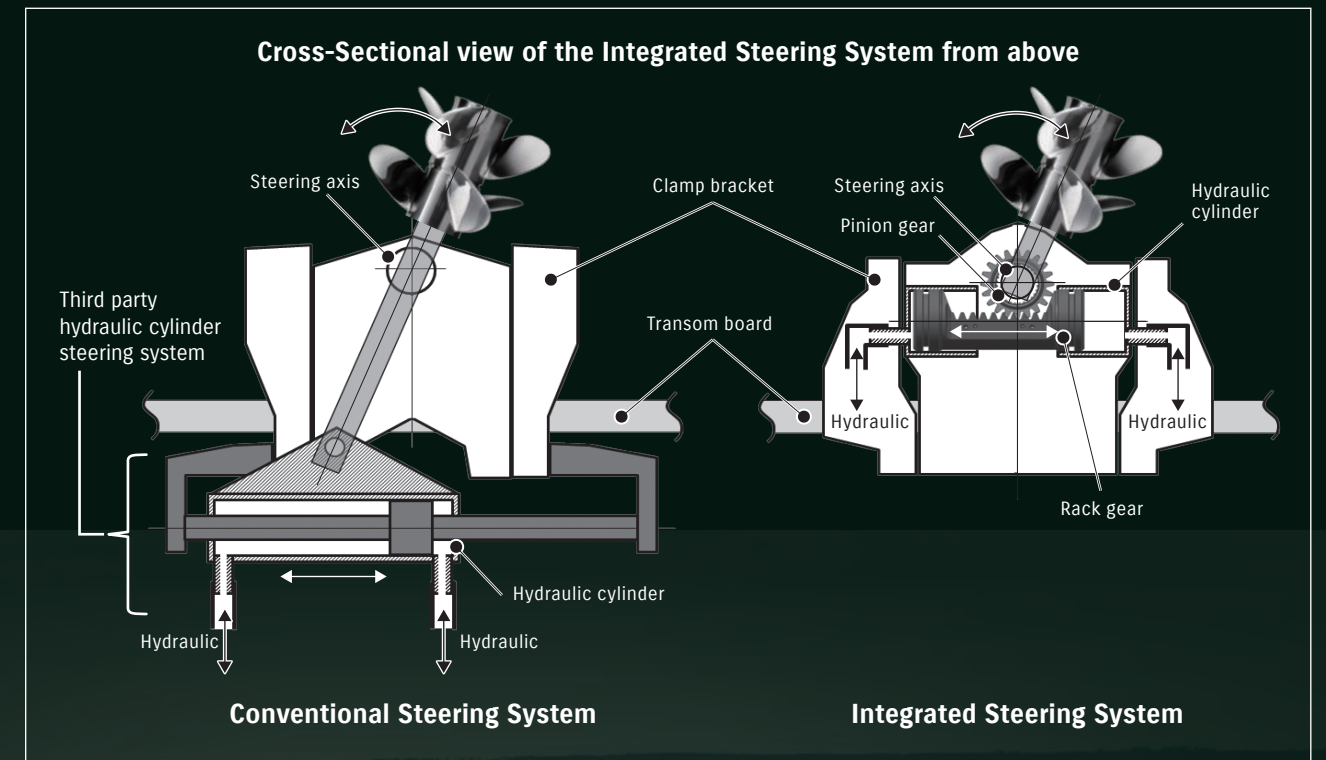
Conventional DF350A/325A/300B  
(with external steering components)



NEW DF350AMD/300BMD  
(Integrated Steering System)



## Structure of the Integrated Steering System



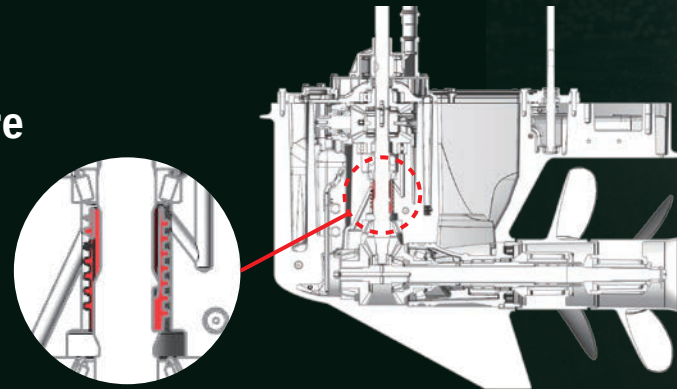


# ADVANCED GEAR CASE

## Durability & Reliability

### Lowered Gear Oil Temperature

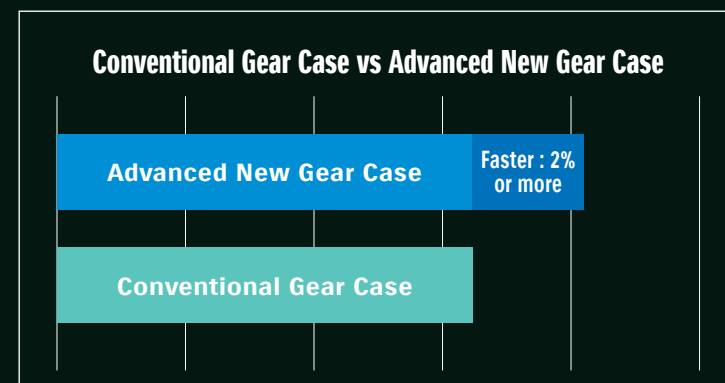
To improve Reliability, the circulation of the gear oil has been improved, which suppresses the temperature rise of the gear oil.



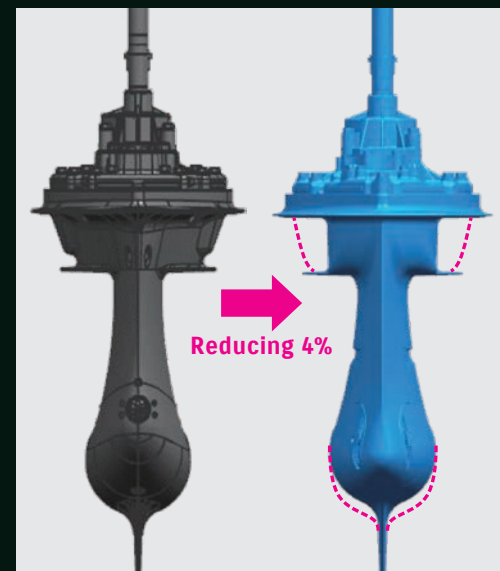
## Performance

### Increased Top Speed

The new designed gear case reduced 4% of the frontal projected area which increased the Top Speed by more than 2%\*.



\*The data is based on "In-House Suzuki Testing" under uniformed conditions. Results will vary depending upon operating conditions (boat design, size, weight, weather, etc).



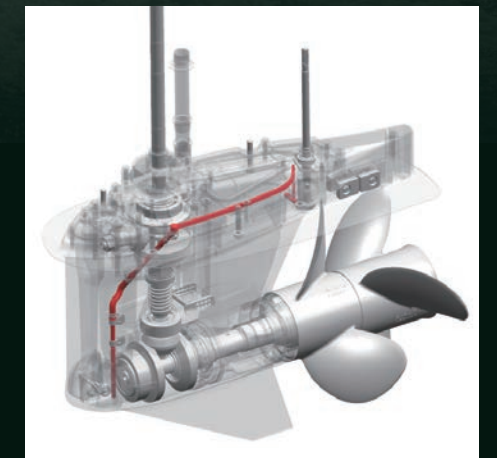
## Ease & Comfort

### New mechanism for changing gear oil

By adding a special oil passage, Gear oil can be changed without lifting the boat by using an oil changer.

### Compatible with conventional models

Lower unit including the Advanced Gear Case is compatible with conventional DF350A / DF325A / DF300B and it is installed as standard for all models(DF350AMD/300BMD, DF350A/325A/300B).



Special Oil Passage for the gear oil changer

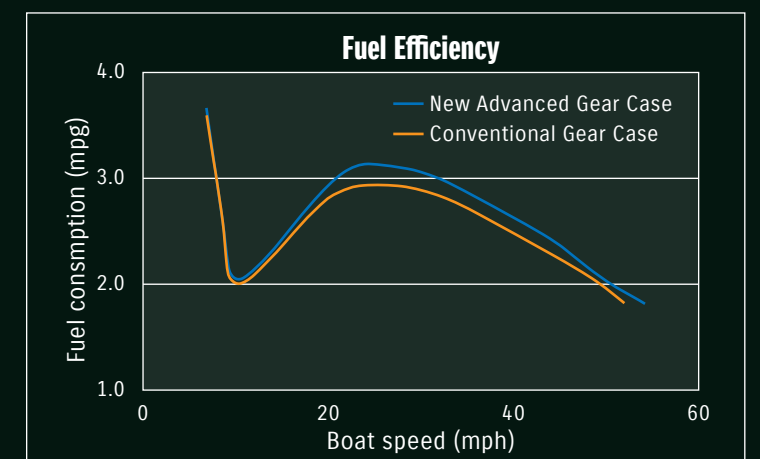
## Ecology & Economy

### Improved Fuel Efficiency

Adopting the New Advanced Gear Case contributes to the better Fuel Efficiency.

### Reduced Gear Oil

By reviewing the gear case, the amount of gear oil is reduced from 3.2ℓ to 2.8ℓ.



\*The data is based on "In-House Suzuki Testing" under uniformed conditions. Results will vary depending upon operating conditions (boat design, size, weight, weather, etc).



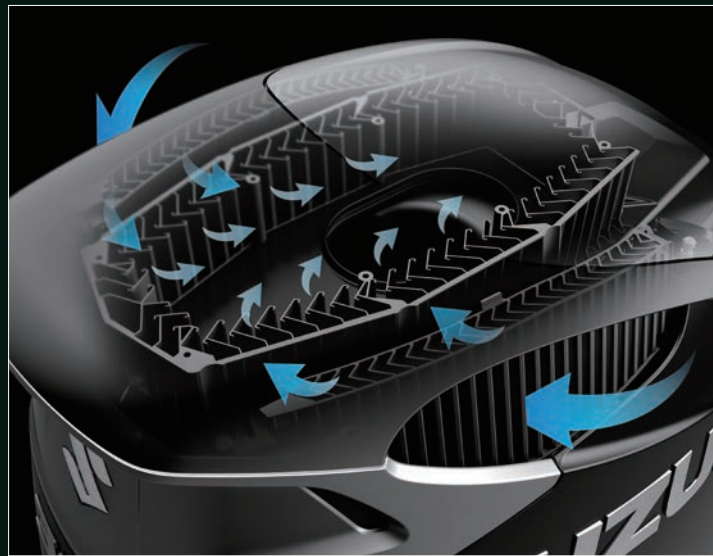


# Craftsmanship of DF350A/325A/300B is inherited.

## Dual Louver

### DIRECT INTAKE SYSTEM AND DUAL LOUVER SYSTEM FOR COOL AND DRY AIR

The New models, DF350AMD/300BMD, DF350A/325A/300B are equipped with a dog-leg shaped Dual Louver at the air intake to remove water from the air taken into the cowl. Incorporating a direct intake system makes the compression ratio of 12.0:1 (DF350AMD/350A), 10.5:1 (DF300BMD/325A/300B) possible, ultimately leading to a higher engine output.

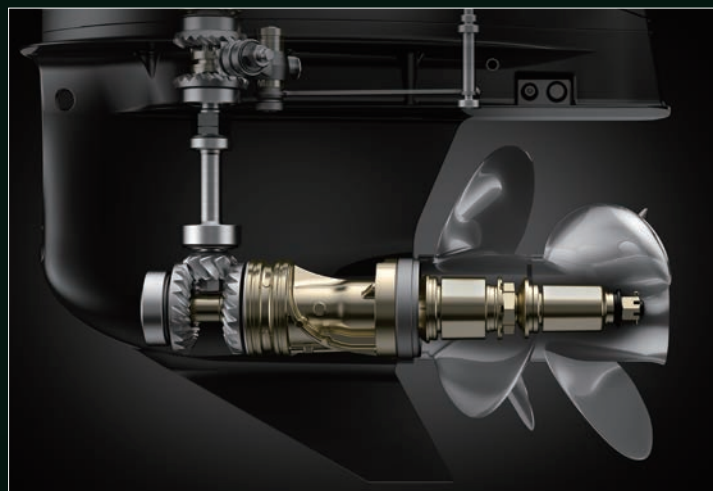


SUZUKI DUAL LOUVER SYSTEM

## Dual Prop

### DEVELOPMENT OF SUZUKI'S FIRST CONTRA-ROTATING PROPELLER

The Dual Prop system efficiently turns engine's output into propulsion under water. As an added benefit, because each propeller rotates in a different direction, exceptional stability is achieved. In addition, the contra-rotating propellers produce a strong reverse thrust.



SUZUKI DUAL PROP SYSTEM

## Dual Injector

### DUAL INJECTORS FOR BOTH COOLING AND POWER

Efficient combustion and suppression of knocking are necessary to produce more power.

Suzuki achieved efficient combustion with optimal fuel injection by adopting the Dual Injector and with optimum combustion chamber configuration.

Further, the Dual Injector atomizes the fuel to enhance the cooling action in the combustion chamber and suppress knocking.

In fact, Suzuki has succeeded in increasing the output by 3%.

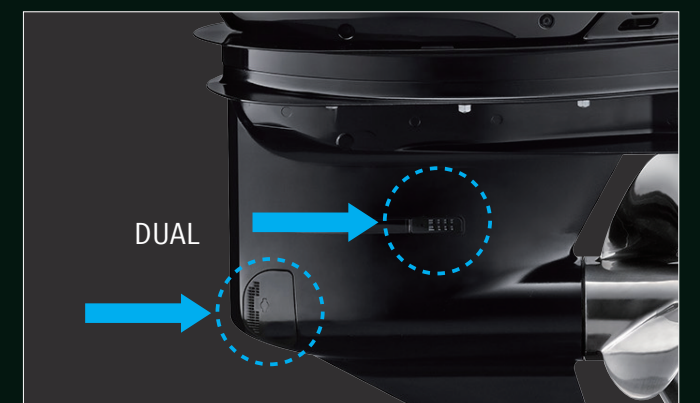


DUAL INJECTOR

## Dual Water Inlet

### DUAL WATER INTAKES

Designing the shape of the gear case also required repositioning the water intakes. It was important to arrange the main and sub intakes as far apart from each other as possible, and to design them to ensure a reliable amount of cooling water, especially at high speeds.



DUAL WATER INLET



# OUR PROVEN TECHNOLOGIES ARE OF COURSE INHERITED.

## Durability & Reliability



SELF-ADJUSTING TIMING CHAIN



ANTI-CORROSION FINISH



WATER DETECTING SYSTEM



TILT LIMIT



SDSM+(Optional)



KEYLESS START SYSTEM(Optional)

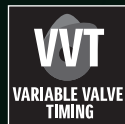
## Performance



OFFSET DRIVESHAFT



2-STAGE GEAR REDUCTION



VARIABLE VALVE TIMING



DIRECT INTAKE

SUZUKI

DF350A model

## Ease & Comfort

SUZUKI PRECISION CONTROL(SPC)



NOISE REDUCTION



TROLL MODE



EASY START SYSTEM



AUTOMATIC TRIM(Optional)



## Ecology & Economy

LEAN BURN CONTROL SYSTEM



LEAN BURN

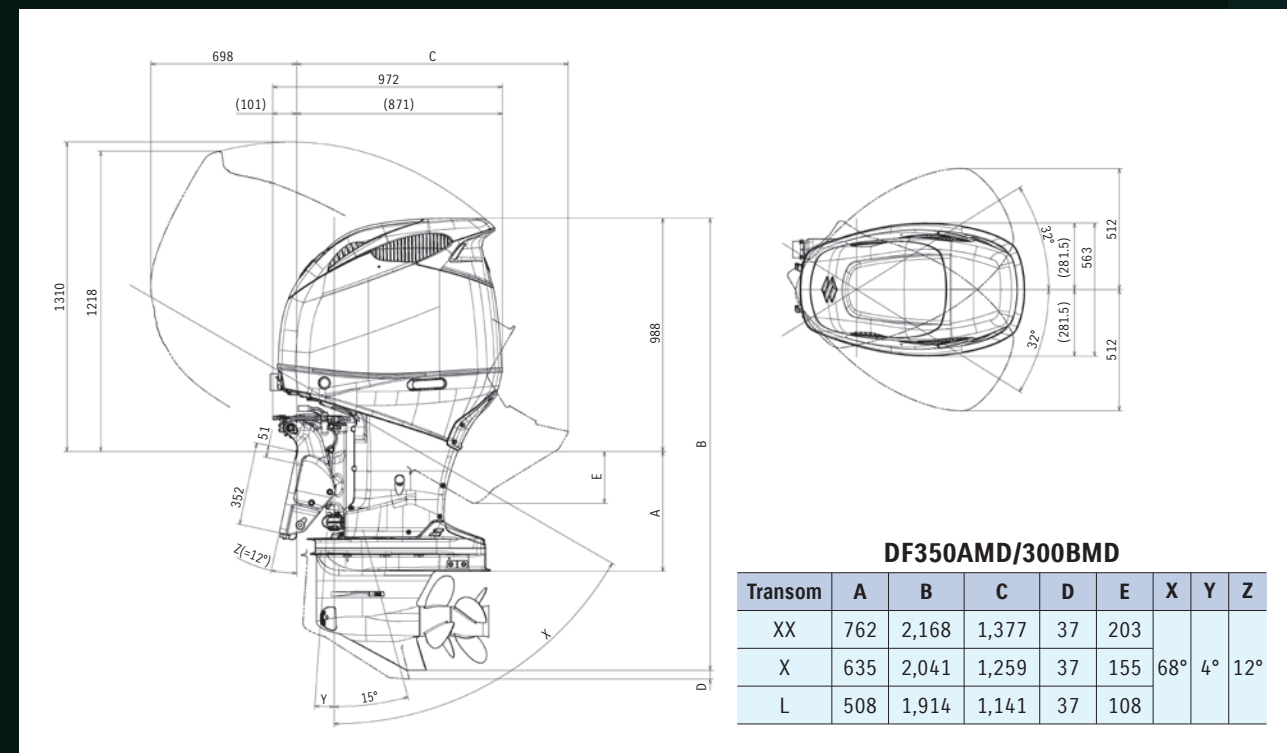


## SPECIFICATIONS

Model	DF350AMD	DF300BMD	DF350A	DF325A	DF300B
Starting System	Electric		Electric		
Recommended Transom Height (mm)	L:508 X:635 XX:762		X:635 XX:762		
Weight (kg)*	L:345 X:352 XX:360		X:330 XX:338		
Valve Train	DOHC 24 Valves		DOHC 24 Valves		
Valve Train Drive	Chain		Chain		
Displacement(cm <sup>3</sup> )	4,390		4,390		
Maximum Output(kW)	257.4	220.7	257.4	239.0	220.7
Bore and Stroke(mm)	98 x 97		98 x 97		
Operation Range(rpm)	5700-6300	5300-6300	5700-6300	5300-6300	
Fuel Delivery System	Electronic Fuel Injection		Electronic Fuel Injection		
Oil Pan Capacity(L)	8.0		8.0		
Alternator	12V 54A		12V 54A		
Trim Type	Power Trim and Tilt		Power Trim and Tilt		
Gear Ratio	2.29		2.29		
Control System	DBW		DBW		
Recommended Fuel	RON94 AKI89	RON91 AKI87	RON94 AKI89	RON91 AKI87	
Propeller Selection	12"-31.5"		12"-31.5"		

\*Dry Weight : Including battery cable, not including propeller and engine oil.

## DIMENSIONS



## FEATURES

● =Standard Equip. ○ =Optional Equip.

Model	DF350AMD/300BMD	DF350A/325A/300B
BODY COLOR	Black	●
	White	●
<b>NEW</b> INTEGRATED STEERING SYSTEM	●	
ADVANCED NEW GEAR CASE	●	●
SUZUKI DUAL LOUVER SYSTEM	●	●
DUAL INJECTOR	●	●
DUAL WATER INLET	●	●
SUZUKI DUAL PROP SYSTEM	●	●
DIRECT AIR INTAKE	●	●
OFFSET DRIVESHAFT	●	●
2-STAGE GEAR REDUCTION	●	●
SELF-ADJUSTING TIMING CHAIN	●	●
WATER DETECTING SYSTEM	●	●
VARIABLE VALVE TIMING SYSTEM	●	●
SUZUKI PRECISION CONTROL	●	●
NOISE REDUCTION	●	●
SUZUKI TROLL MODE SYSTEM* <sup>1</sup>	●	●
SUZUKI EASY START SYSTEM	●	●
LEAN BURN CONTROL SYSTEM	●	●
DIRECT IGNITION	●	●
NEW KEYLESS START SYSTEM	○	○
AUTOMATIC TRIM SYSTEM* <sup>2</sup>	○	○
SUZUKI DIAGNOSTIC SYSTEM MOBILE Plus	○	○
SUZUKI ANTI-CORROSION SYSTEM	●	●
TILT LIMIT SYSTEM	●	●
OVER-REV. LIMITER	●	●
LOW OIL PRESSURE CAUTION	●	●
FRESH WATER FLUSHING SYSTEM	●	●

\*<sup>1</sup> available by using with SMG4/SMD/Troll Mode Switch Panel

\*<sup>2</sup> available by using with SMD/SMG4

Please read your owner's manual carefully. Remember, boating and alcohol or other drugs don't mix. Always wear a personal flotation device when boating. Please operate your outboard safely and responsibly. Suzuki encourages you to operate your boat safely and with respect for the marine environment.

Specifications, appearances, equipment, colors, materials and other items of "SUZUKI" products shown on this catalogue are subject to change by manufacturers at any time without notice and they may vary depending on local conditions or requirements. Some models are not available in some territories. Each model might be discontinued without notice. Please inquire at your local dealer for details of any such changes. Actual body color might differ from the colors in this brochure.



**SUZUKI MOTOR CORPORATION**

300 TAKATUKA-CHO, MINAMI-KU, HAMAMATSU CITY, JAPAN 432-8611  
99999-C2022-001 DF350A PRODUCT INFORMATION

